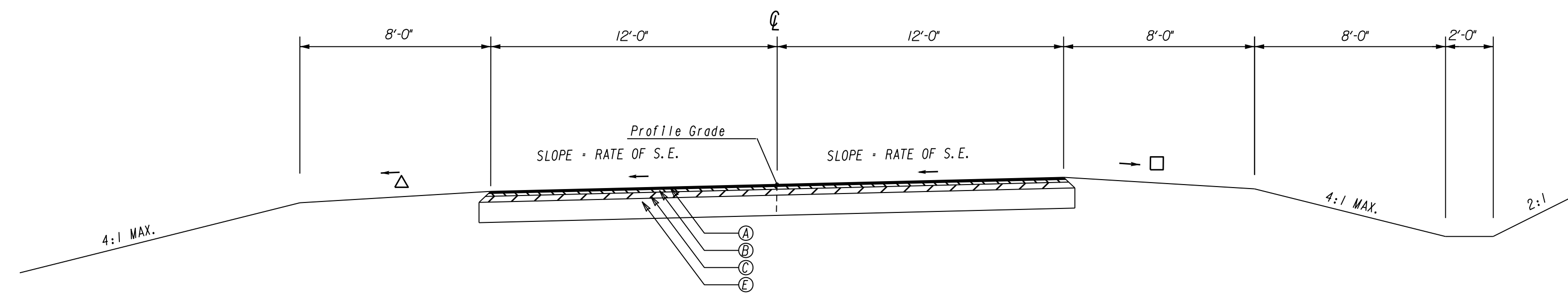
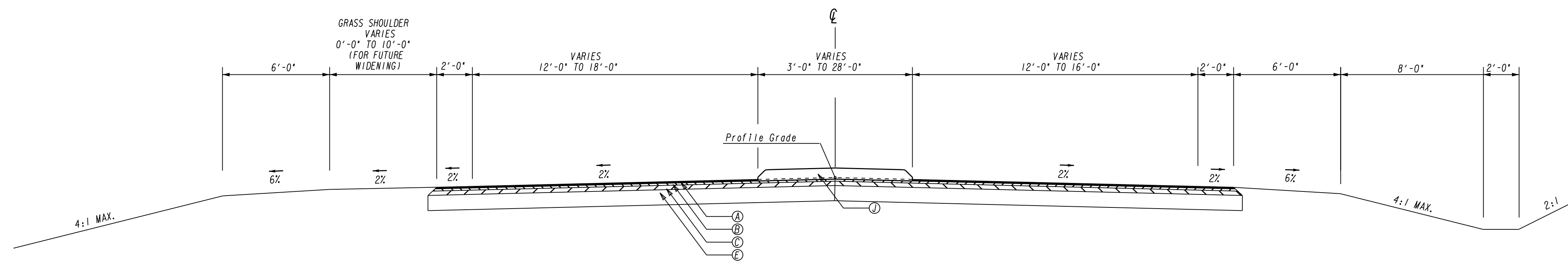


TS-06
HEMPHILL ROAD
SUPERELEVATED SECTION
STA 104+00.00 TO 105+00.00



TS-07
HEMPHILL ROAD
SUPERELEVATED SECTION
STA 105+00.00 TO 110+48.00



TS-8
HEMPHILL ROAD
TANGENT SECTION
STA 110+48.00 TO 111+02.00
STA 112+89.00 TO 114+50.00

NOTE: ALL STATION AND OFFSETS ARE TAKEN FROM THE CENTERLINE OF CONSTRUCTION UNLESS OTHERWISE NOTED
ALL DIMENSIONS ARE TO THE EDGE OF PAVEMENT UNLESS OTHERWISE NOTED

SLOPES AS FOLLOWS:	
△	SLOPE 6% OR RATE OF S.E. WHICHEVER IS GREATER
□	S.E. RATE OF 2%, USE 6% S.E. RATE OF 3%, USE 5% S.E. RATE OF 4%, USE 4% S.E. RATE OF 5%, USE 3% S.E. RATE OF 6%, USE 2%

ALGEBRAIC DIFFERENCE IN SLOPES NOT TO EXCEED 8%

- REQUIRED PAVEMENT**
- Ⓐ 165 LB/SQ YD - 1.5" ASPH. CONC. 12.5mm SUPERPAVE
 - Ⓑ 220 LB/SQ YD - 2" ASPH. CONC. 19 mm SUPERPAVE
 - Ⓒ 330 LB/SQ YD - 3" ASPH. CONC. 25 mm SUPERPAVE
 - Ⓓ 660 LB/SQ YD - 6" ASPH. CONC. 25 mm SUPERPAVE
 - Ⓔ 12" GRADED AGGREGATE BASE
 - Ⓕ ASPHALT LEVELING AS REQUIRED
 - Ⓖ 8 IN X 30 IN CONC. CURB & GUTTER TP. 2
 - Ⓗ 8 IN X 30 IN CONC. CURB & GUTTER TP. 7
 - Ⓙ CONCRETE INTEGRAL MEDIAN, 7.5'
 - Ⓚ 6" CONCRETE HEADER CURB, TYPE 7
 - Ⓛ 4" CONCRETE HEADER CURB, TYPE 9

AECOM
400 NORTHPARK TOWN CENTER
1000 ABERNATHY ROAD, N.E., SUITE 900
ATLANTA, GEORGIA 30328
TEL: (678) 808-8800 FAX: (678) 808-8400

REVISION DATES	
11/22/2016	

HENRY COUNTY SPLOST MANAGEMENT
SR 138 AND HEMPHILL ROAD
INTERSECTION IMPROVEMENT

TYPICAL SECTIONS