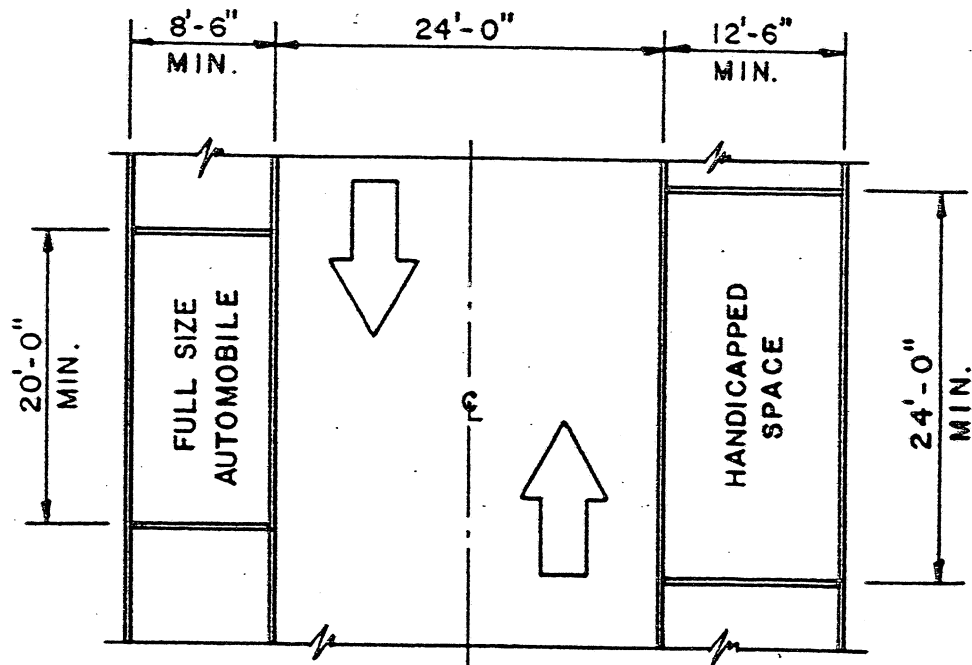


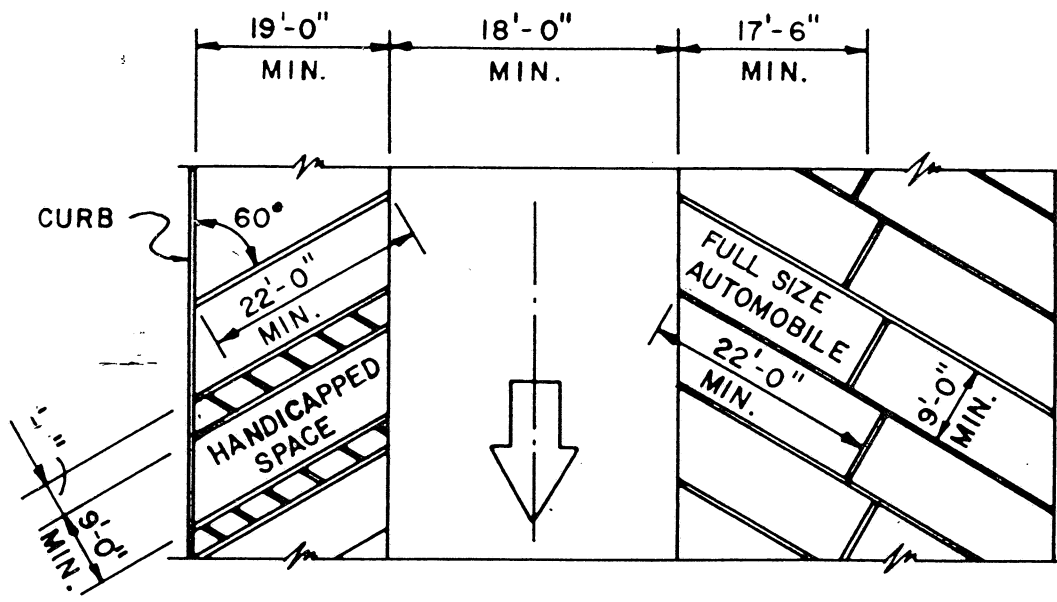
90 PARKING



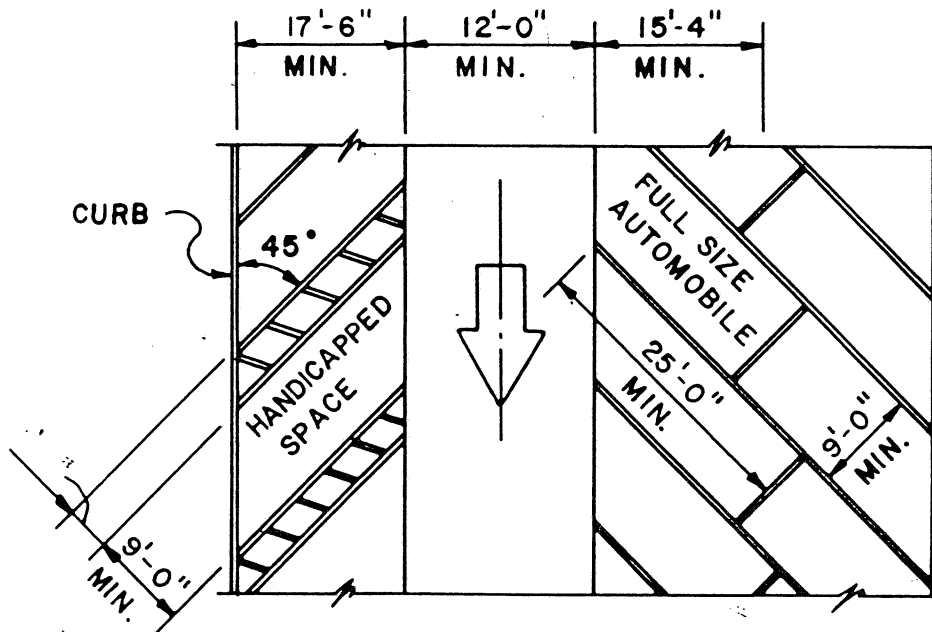
PARALLEL PARKING

NOTE: PLACE STANDARD HANDICAPPED SIGN & SYMBOL ON H.C. SPACES

HENRY COUNTY DEPARTMENT OF COMMUNITY DEVELOPMENT	PARKING - 90° AND PARALLEL CONSTRUCTION STANDARD	DATE: 3/88	STANDARD NO. 4.1.1
		APPROVED: D.W.S.	



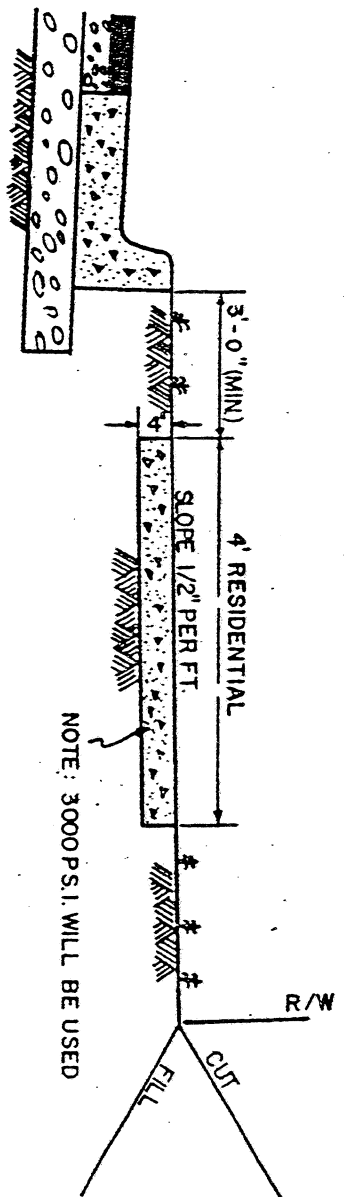
60 PARKING



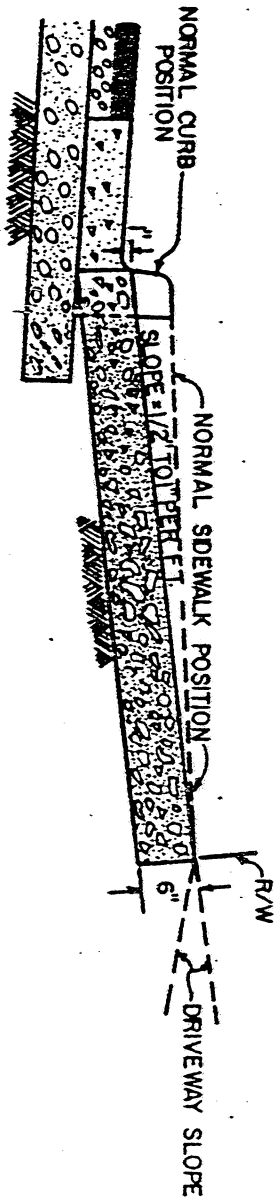
45 PARKING

NOTE: PLACE STANDARD HANDICAPPED SIGN & SYMBOL ON H.C. SPACES

HENRY COUNTY DEPARTMENT OF COMMUNITY DEVELOPMENT	ANGLED PARKING CONSTRUCTION STANDARD	DATE: 3/88	STANDARD NO. 4.1.2
		APPROVED:	
		D.W.S.	



TYPICAL SECTION OF SIDEWALK
N.T.S.



SIDEWALK SECTION AT DRIVEWAY
N.T.S.

- NOTES FOR CONCRETE SIDEWALK
- 1) CONCRETE TO BE PLACED 4" THICK AND FINISHED WITH TAMPS.
 - 2) WOOD FLOATS AND STIFF-BRISTLE BROOMS.
 - 3) TRANSVERSE CONTRACTION JOINTS SHALL BE PLACED AT 10 FT. INTERVALS. NO CONTRACTION JOINT TO BE PLACED IN SIDEWALKS IN DRIVEWAYS. ALL EDGES TO BE ROUNDED TO 1/4" RADIUS.
 - 4) 1/2" EXPANSION JOINTS SHALL BE PLACED WHERE SIDEWALKS TIE INTO A STRUCTURE OR TERMINATE AT CURB, RAMPS OR DRIVEWAYS OR A MAXIMUM OF 150' APART.

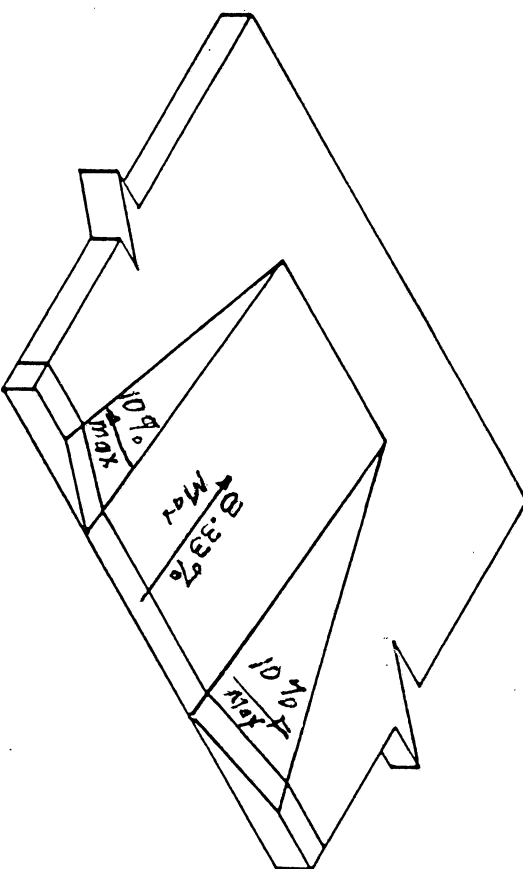
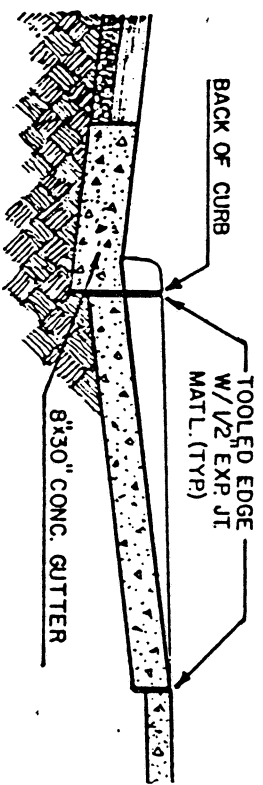
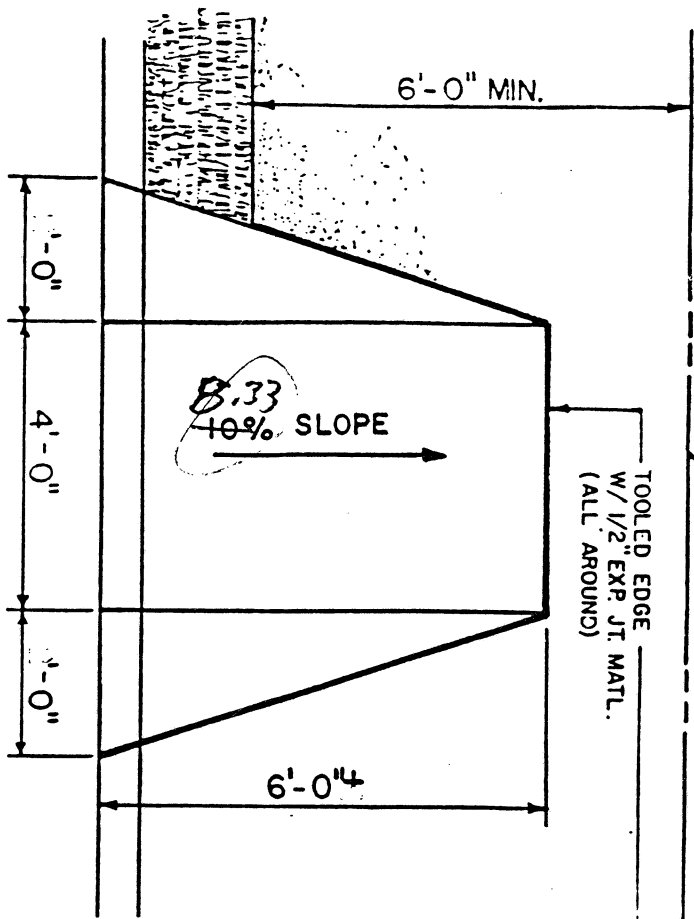
HENRY COUNTY
DEPARTMENT OF
COMMUNITY DEVELOPMENT

SIDEWALK
CONSTRUCTION STANDARD

DATE:	3/88
APPROVED:	D.W.S.

STANDARD
NO. 4.2.1

P/L OR BACK OF S/W



NOTES

1. CONCRETE SHALL BE CLASS "A", 300 PSI.
2. EXPANSION JOINTS SHALL BE IN ACCORDANCE WITH AASHTO M153 OR M213.
3. SURFACE TEXTURE OF RAMP SHALL BE OBTAINED BY ROOMING TRANSVERSE TO THE RAMP SLOPE.

HENRY COUNTY
DEPARTMENT OF
COMMUNITY DEVELOPMENT

HANDICAPPED RAMP
CONSTRUCTION STANDARD

DATE: 3/88

APPROVED:

D.W.S.

STANDARD
NO.

4.3.1