


HENRY COUNTY
DEPARTMENT OF
TRANSPORTATION
533 HAMPTON ROAD
MCDONOUGH, GA 30253
PHONE: 770-288-7623 FAX: 770-288-7683

CLIENT NAME

80 JOHN FRANK WARD BLVD.
MCDONOUGH, GA 30253

PROJECT NAME
**515-535 WOODSTOWN
RD. DRAINAGE
IMPROVEMENT**

LAND LOT(S) 153
DISTRICT(S) 8th
CITY
COUNTY HENRY

PRINTING AND REVISIONS

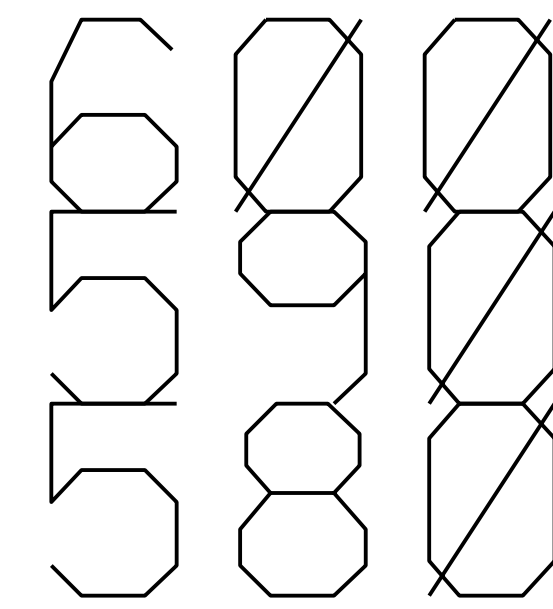
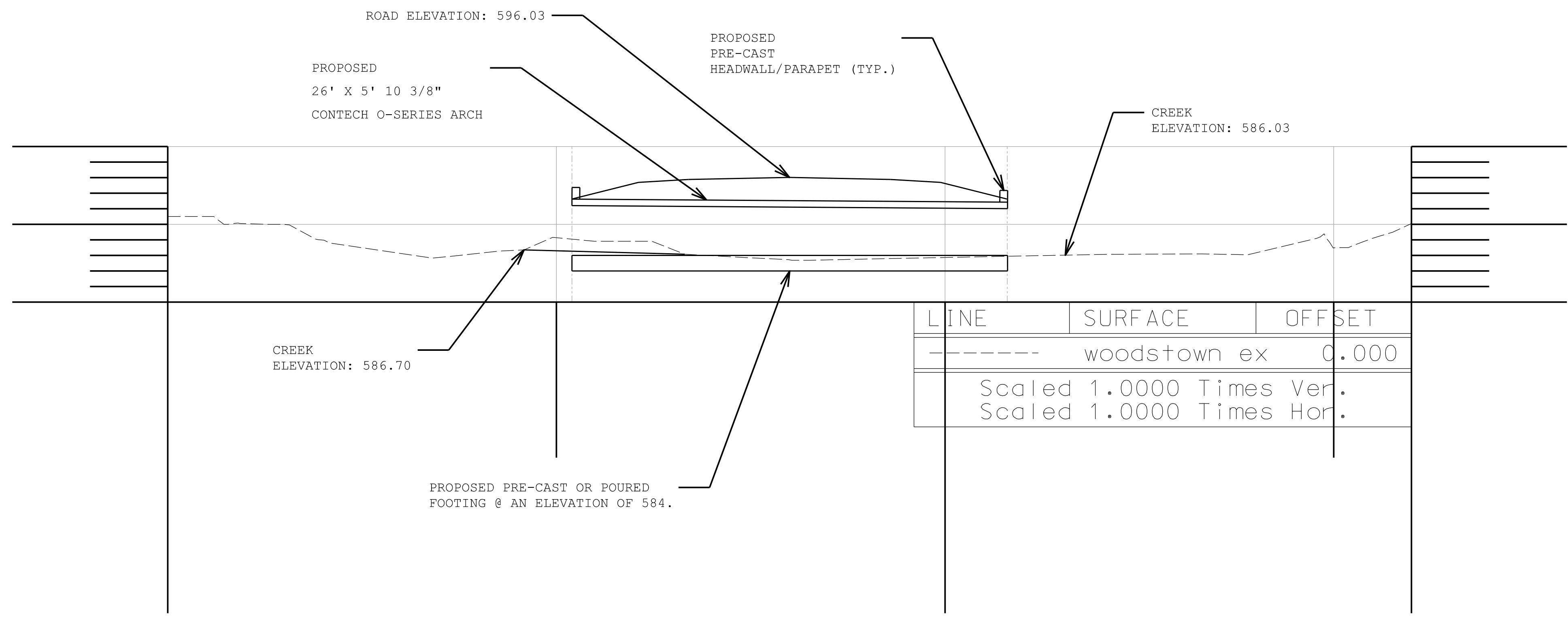
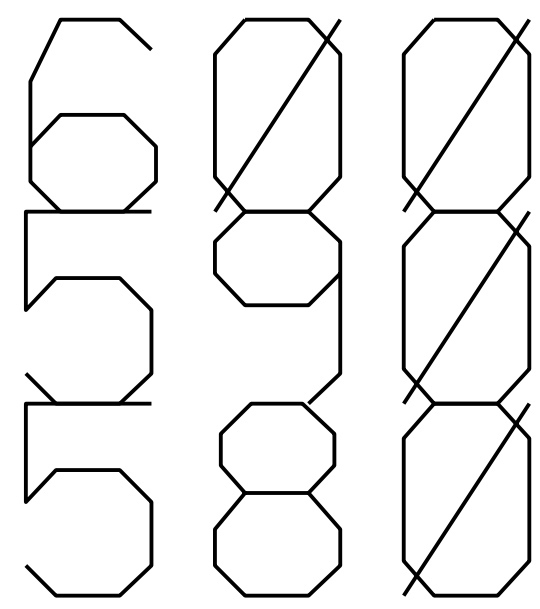
#	DATE	DESCRIPTION
1		

DATE:
JOB NUMBER:
DRAWN BY: TYLER PRICE
CHECKED BY:

STAMP

SHEET TITLE
**ARCH
PLAN**

SHEET NUMBER
OF



- 0 + 5 0

0 + 5 0

1 + 1 0

LINE	SURFACE	OFFSET
---	woodstown ex	0.000
Scaled 1.0000 Times Ver.		
Scaled 1.0000 Times Hor.		

HENRY COUNTY
DEPARTMENT OF
TRANSPORTATION
533 HAMPTON ROAD
MCDONOUGH, GA 30253
PHONE: 770-288-7623 FAX: 770-288-7683

CLIENT NAME

80 JOHN FRANK WARD BLVD.
MCDONOUGH, GA 30253

PROJECT NAME
**515-535 WOODSTOWN
RD. DRAINAGE
IMPROVEMENT**

LAND LOT(S) 153
DISTRICT(S) 8th
CITY
COUNTY HENRY

PRINTING AND REVISIONS

#	DATE	DESCRIPTION
1		

DATE:
JOB NUMBER:
DRAWN BY: TYLER PRICE
CHECKED BY:

STAMP

SHEET TITLE
**ARCH
PROFILE**

SHEET NUMBER
SHEET OF