

PIPE CULVERT MATERIAL ALTERNATES FOR PIEDMONT/BLUE RIDGE REGION

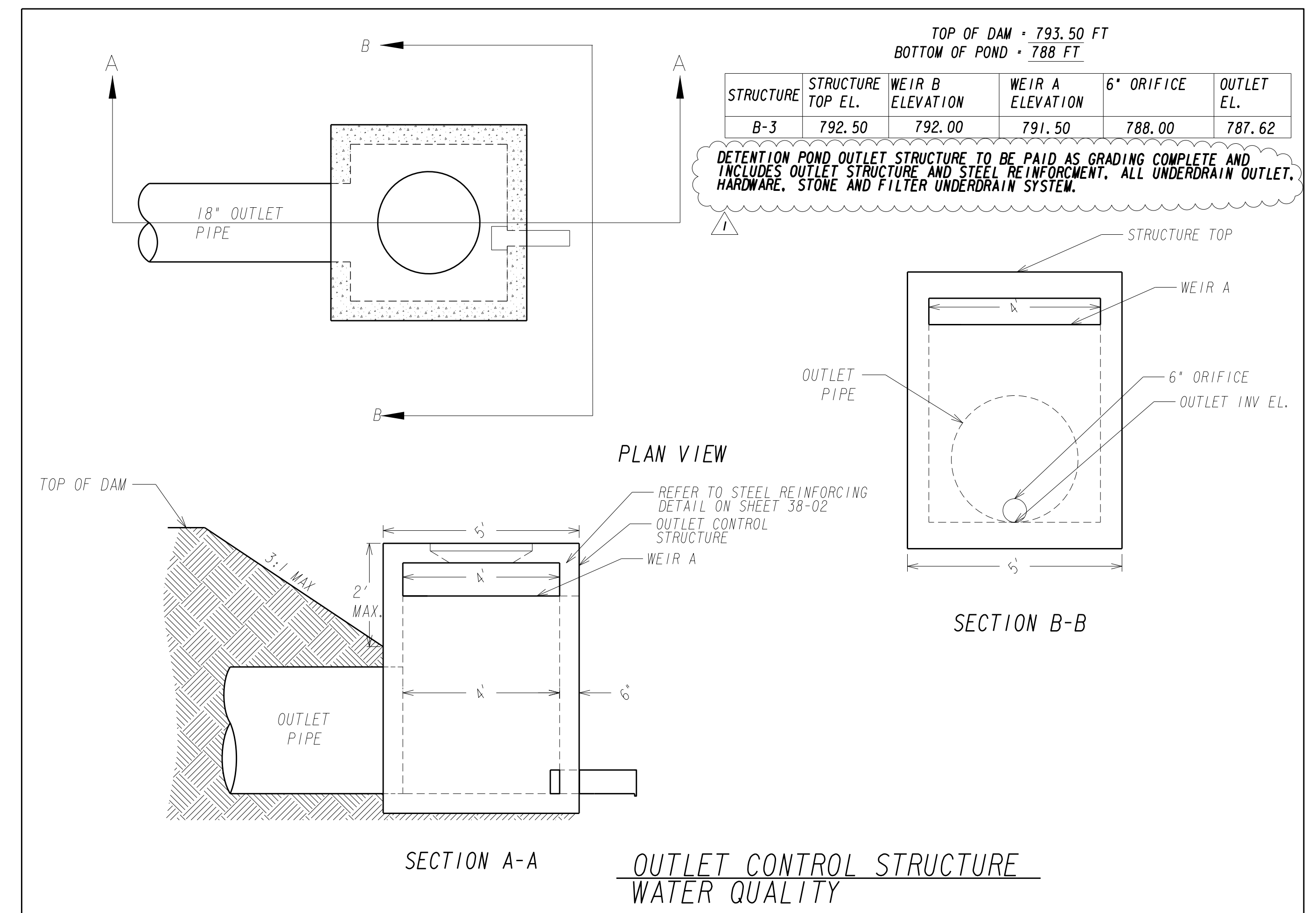
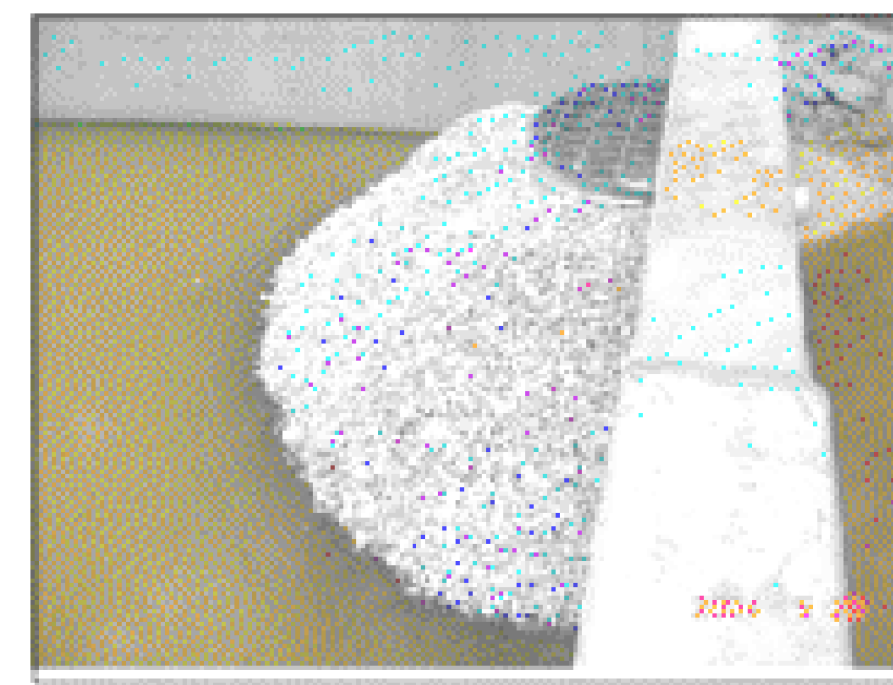
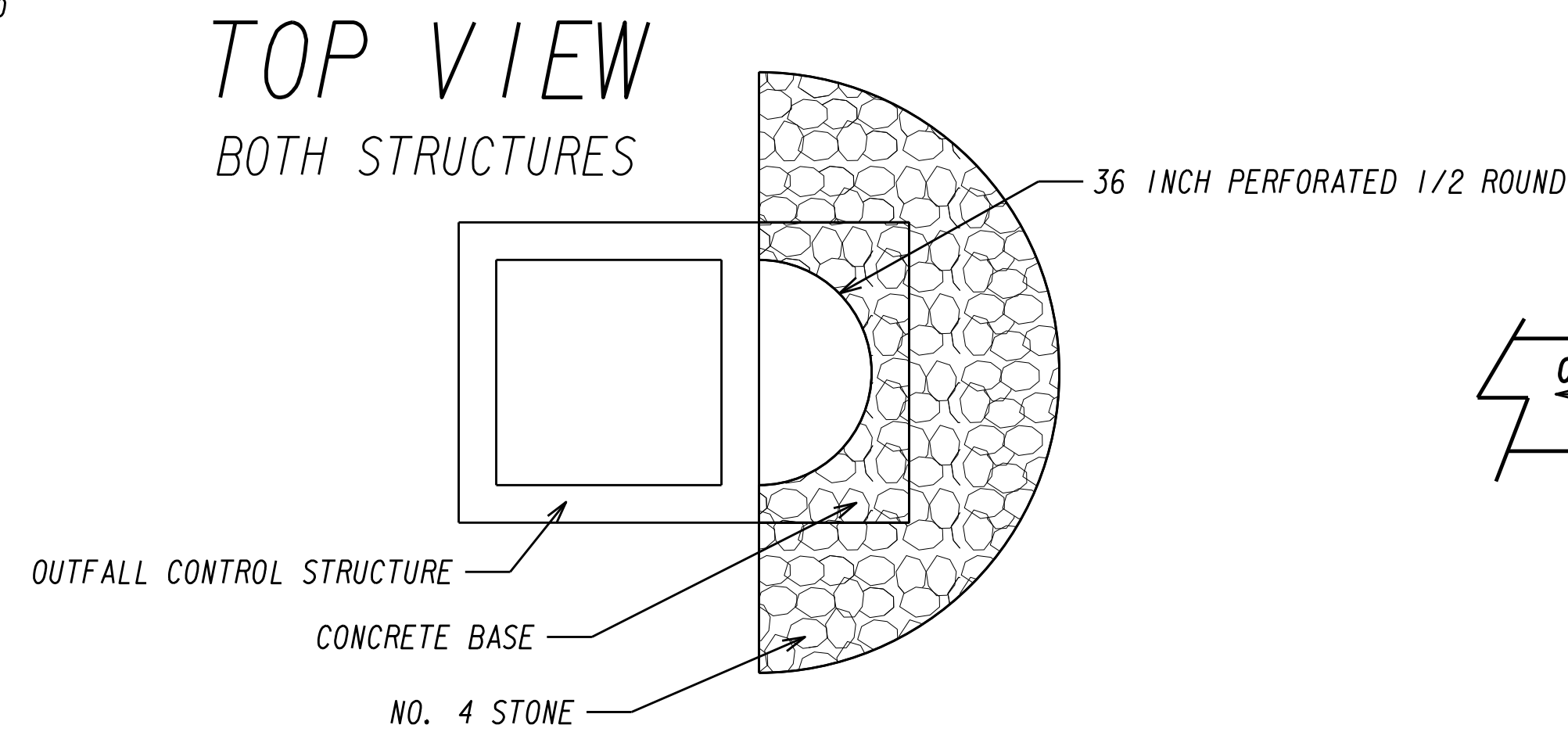
TYPE OF PIPE INSTALLATION	C O N C R E T E	CORRUGATED STEEL AASHTO M-36		CORRU-GATED ALUMINUM AASHTO M-196	PLASTIC			
		ALUMINUM COATED (TYPE 2) CORR. STEEL	PLAIN ZINC COATED	PLAIN UNCOATED ALUMINUM	CORR. POLY-ETHYLENE AASHTO M-252	CORR. POLY-ETHYLENE SMOOTHED LINED AASHTO M-294 TYPE "S"	POLY VINYL CHLORIDE (PVC) PROFILE WALL AASHTO M-304	POLY VINYL CHLORIDE (PVC) CORRUGATED SMOOTH INTERIOR AASHTO F-949
LONGITUDINAL INTERSTATE AND TRAVEL BEARING	X							
LONGITUDINAL NON-INTERSTATE AND NON-TRAVEL BEARING	X	X		X	X	X	X	X
C R O S S D R A I N	GRADE ≤ 10%	ADT < 250	X	X	X	X	X	X
		250 < ADT < 1500	X	X*	X	X	X	X
		1500 < ADT < 15,000	X			X	X	X
		ADT > 15,000	X					
D R A I N	GRADE > 10%	ADT < 250		X	X	X	X	X
		ADT > 250			X	X	X	X
SIDE DRAIN	X	X	X	X	X	X	X	
PERMANENT SLOPE DRAIN		X	X	X		X	X	
PERFORATED UNDERDRAIN		X	X	X	X	X	X	

\*THIS TYPE PIPE CAN BE USED IF THE ADDITION OF TYPE "B" COATING (AASHTO M-190, HALF BITUMINOUS COATED WITH PAVED INVERT) IS UTILIZED.

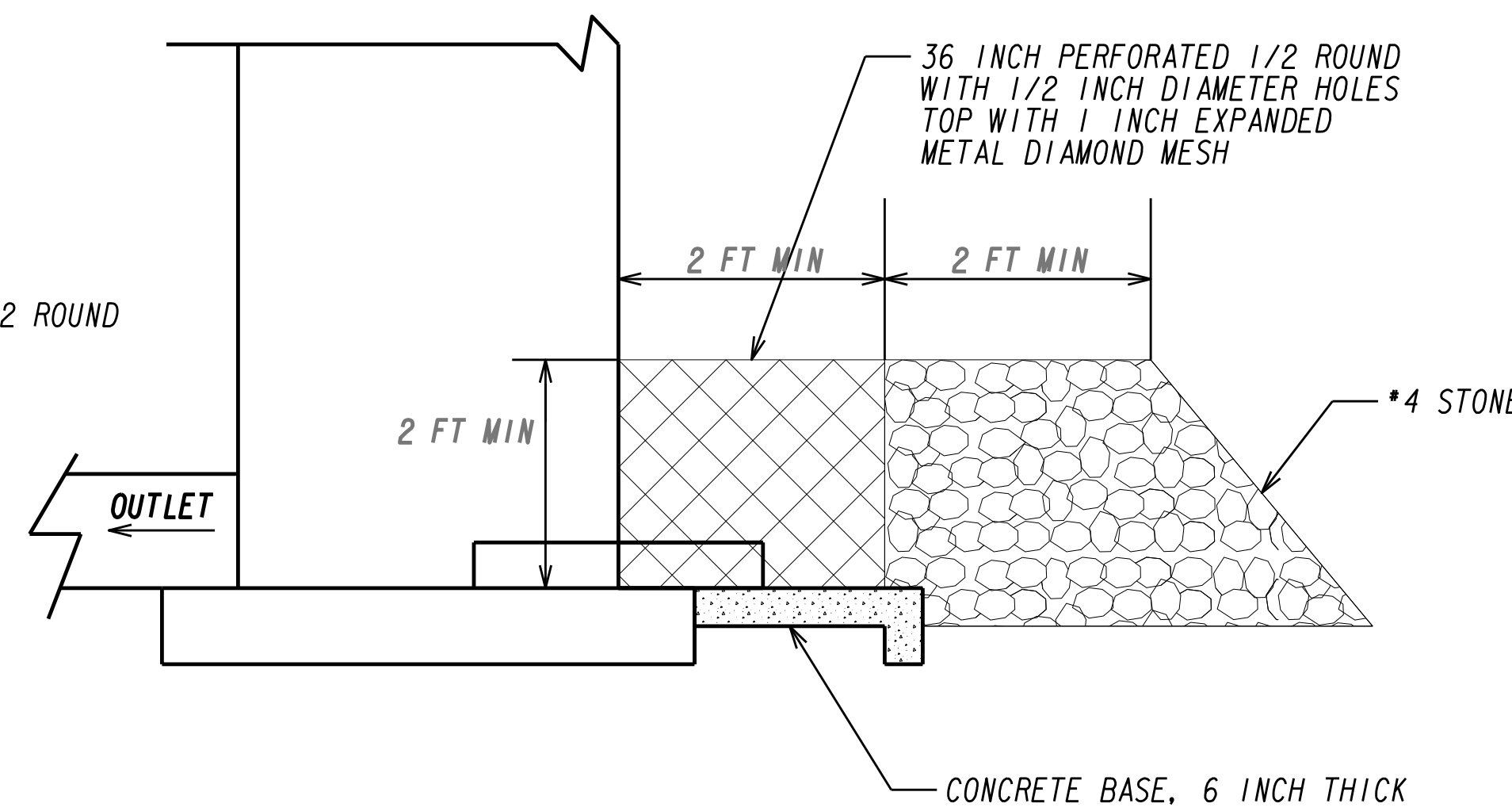
NOTES:

- ALLOWABLE MATERIALS ARE INDICATED BY AN "X".
- STRUCTURAL REQUIREMENTS OF STORM DRAIN PIPE WILL BE IN ACCORDANCE WITH GEORGIA STANDARD 1030-D OR 1030-P, WHICHEVER IS APPLICABLE, AND THE STANDARD SPECIFICATIONS.
- GRADED AGGREGATE BACKFILL SHALL BE USED IN CROSS DRAIN APPLICATIONS FOR ALL PLASTIC PIPES (AASHTO M-294, HDPE PIPE ; AASHTO M-304, PVC PIPE; ASTM F-949, PVC PIPE).
- THE CONTRACTOR SHALL PROVIDE ADDITIONAL STORM SEWER CAPACITY CALCULATIONS IF A PIPE MATERIAL OTHER THAN CONCRETE IS SELECTED.
- PIPE USED UNDER MECHANICALLY STABILIZED EARTH (MSE) WALLS, WITHIN MSE WALL BACKFILL, OR WITHIN FIVE FEET OF AN MSE WALL FACE SHALL BE CLASS V CONCRETE PIPE.
- PROJECT SPECIFIC PH AND RESISTIVITY VALUES ARE ENTERED INTO THE RESPECTIVE BOXES ABOVE TO DETERMINE ALLOWABLE PIPE MATERIALS.

REV. 03-22-10



SIDE VIEW



OUTLET CONTROL STRUCTURE B-2

- ADD TRASH RACK TO TOP OF STRUCTURE, TO MATCH V-NOTCH TRASH RACK STYLE.
- ADD NEW 6 INCH ORIFICE AT ELEVATION 788.00.
- PLACE TRASH RACK OVER NEW ORIFICE, TO BE 1 INCH EXPANDED METAL DIAMOND MESH.
- INSTALL CONCRETE BASE (6 INCH THICK) UNDERNEATH BOTTOM ORIFICE AS SHOWN IN DRAWINGS.
- INSTALL 36 INCH PERFORATED HALF ROUND SURROUNDING BOTTOM ORIFICE.
- 36 INCH PERFORATED HALF ROUND TO HAVE HALF INCH DIAMETER HOLES.
- PLACE TRASH RACK OVER 36 INCH PERFORATED HALF ROUND, 1 INCH EXPANDED METAL DIAMOND MESH.
- PLACE NO. 4 STONE AS SHOWN IN DRAWINGS.

REVISION DATES

1	6-20-2017

HENRY COUNTY BOARD OF COMMISSIONERS

OFFICE:

GENERAL NOTES

TURNER CHURCH ROAD IMPROVEMENTS

DRAWING No. 04-02