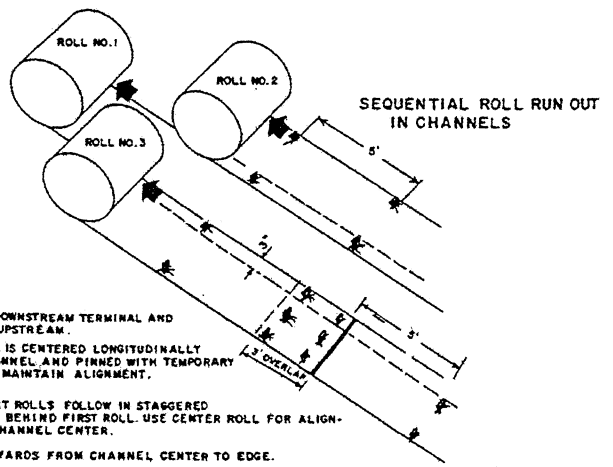
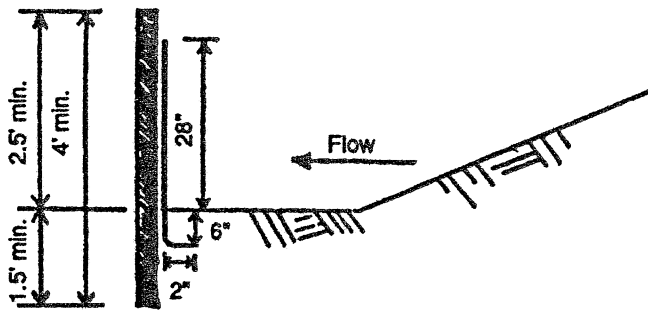


PICTORIAL VIEW OF TRANSVERSE SLOT

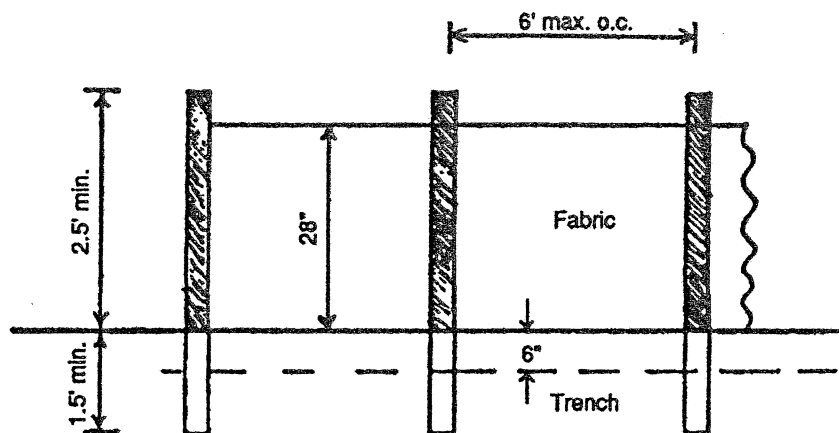


1. START AT DOWNSTREAM TERMINAL AND PROGRESS UPSTREAM.
2. FIRST ROLL IS CENTERED LONGITUDINALLY IN MID CHANNEL, AND Pinned WITH TEMPORARY STAKES TO MAINTAIN ALIGNMENT.
3. SUBSEQUENT ROLLS FOLLOW IN STAGGERED SEQUENCE BEHIND FIRST ROLL. USE CENTER ROLL FOR ALIGNMENT TO CHANNEL CENTER.
4. WORK OUTWARDS FROM CHANNEL CENTER TO EDGE.
5. USE 3" OVERLAP AND STAKE AT 5' INTERVAL ALONG SEAMS.
6. USE 3' OVERLAPS AND SHINGLE DOWNSTREAM TO CONNECT LINING AT ROLL ENDS.

1.1.1 Typical installation guidelines for matting and blankets



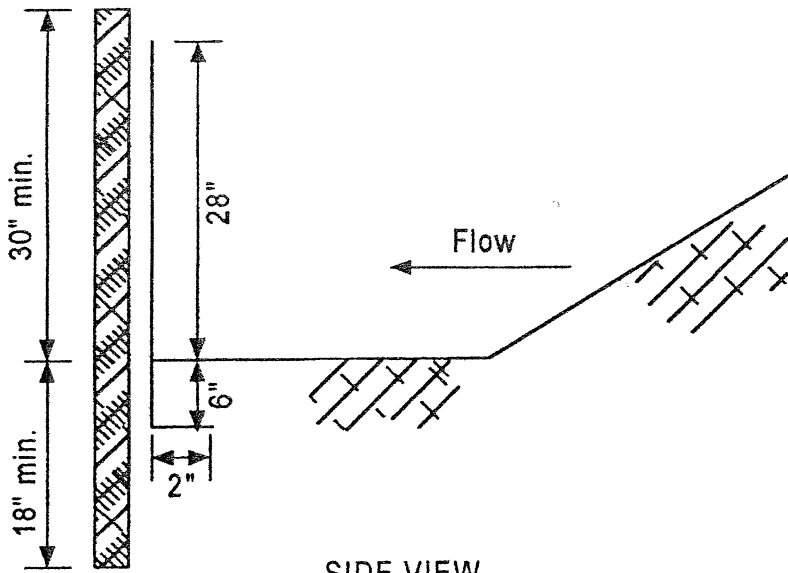
SIDE VIEW



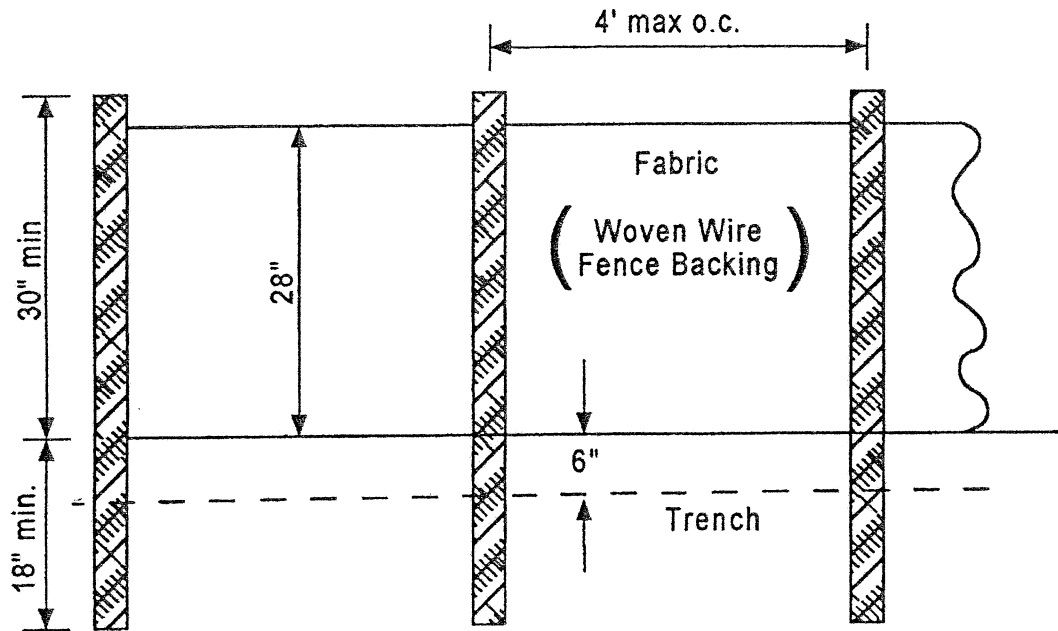
FRONT VIEW

NOTE:
 Use 36" D.O.T. approved fabric.
 Use wood or steel posts.

SILT FENCE - TYPE A



SIDE VIEW

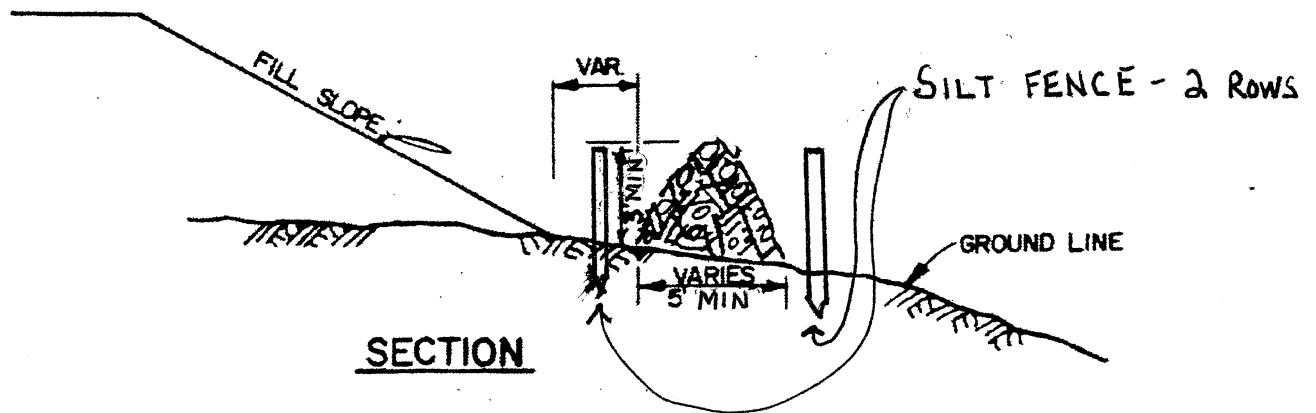


FRONT-VIEW

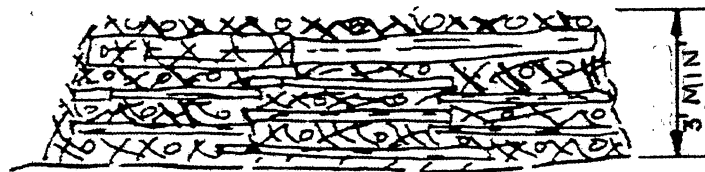
NOTE:
 Use 36" D.O.T. approved fabric.
 Use steel posts.- only

SILT FENCE - TYPE C

MULCH SEDIMENT BARRIER, (Sd1)



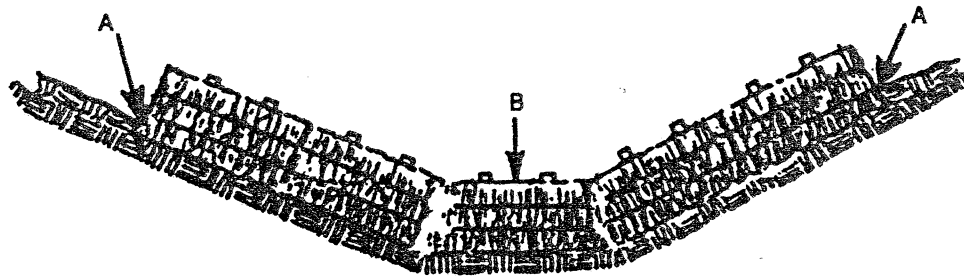
SECTION



FRONT VIEW

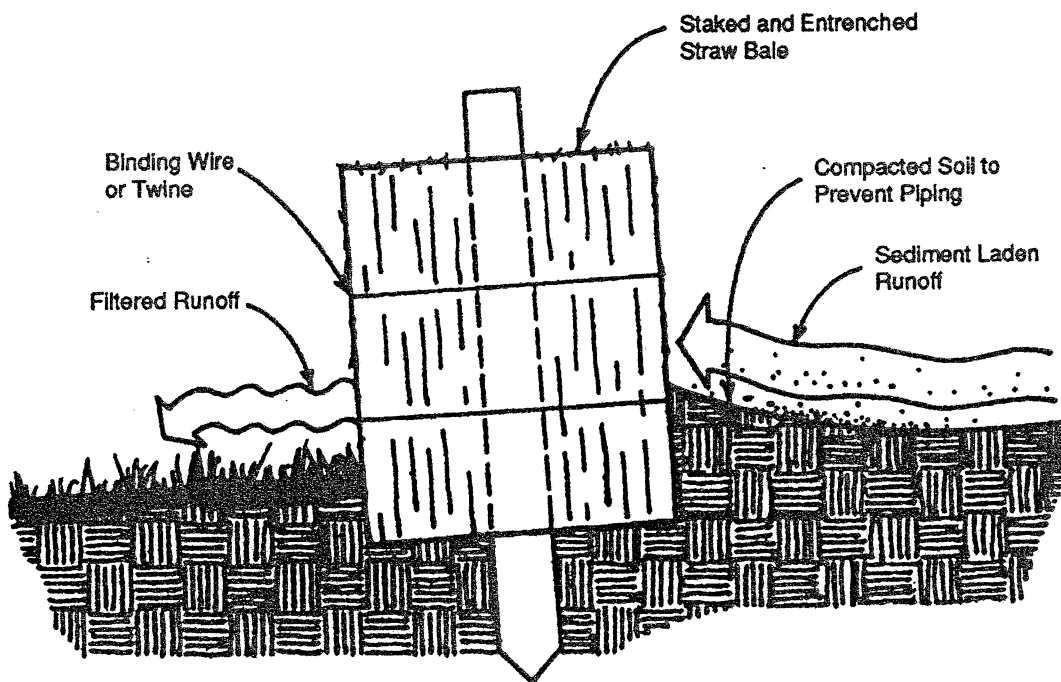
-SILT FENCE TO BE INSTALLED PER GEORGIA EROSION & SEDIMENTATION CONTROL MANUAL STANDARDS (LATEST EDITION)

-TYPE OF SILT FENCE INSTALLED TO BE DETERMINED BY ON-SITE INSPECTOR



Points A should be higher than point B

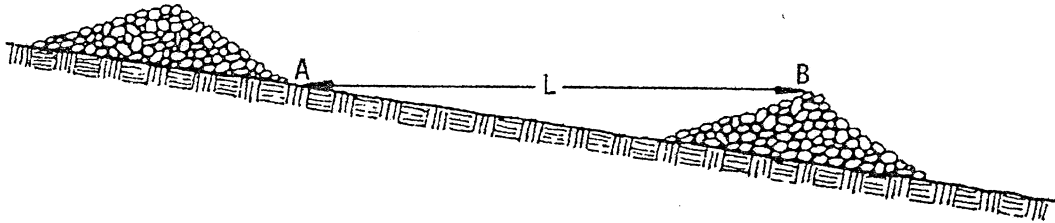
PROPER PLACEMENT OF STRAW BALE BARRIER IN DRAINAGE WAY



Note: Embed hay bales a minimum of 4 inches.

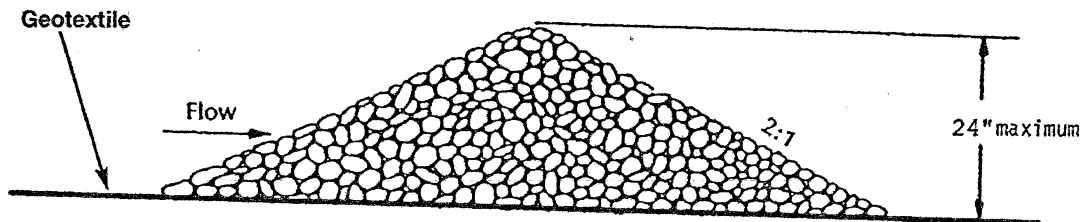
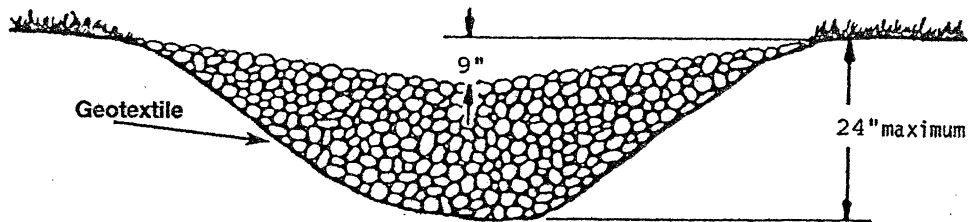
CROSS-SECTION OF A PROPERLY INSTALLED STRAW BALE

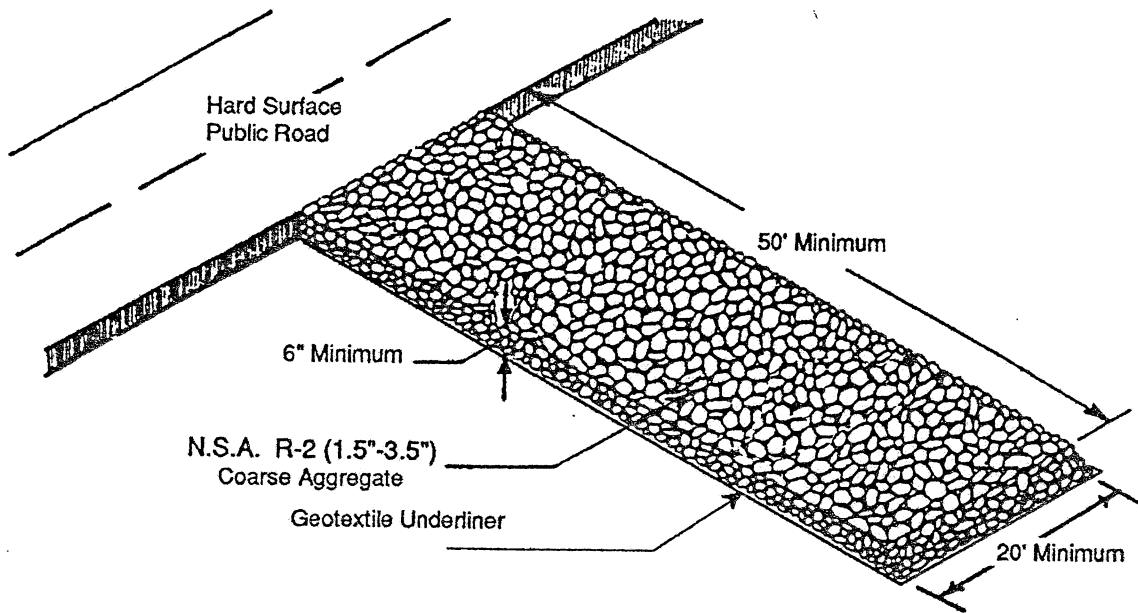
L = The distance such that points
A and B are of equal elevation



SPACING BETWEEN CHECK DAMS

STONE CHECK DAM

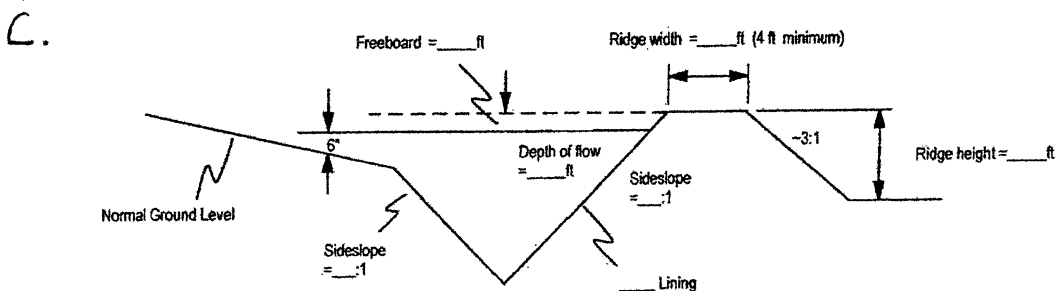
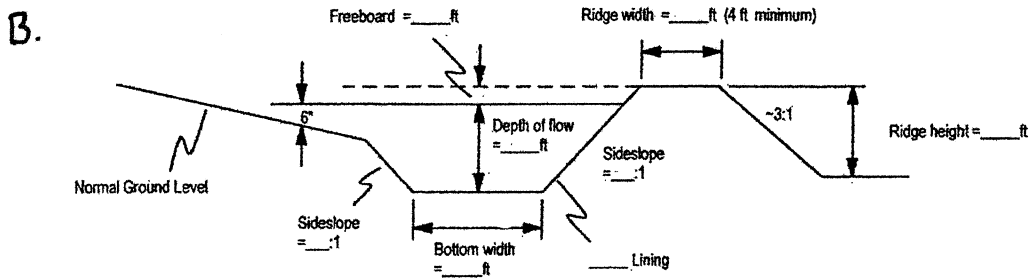
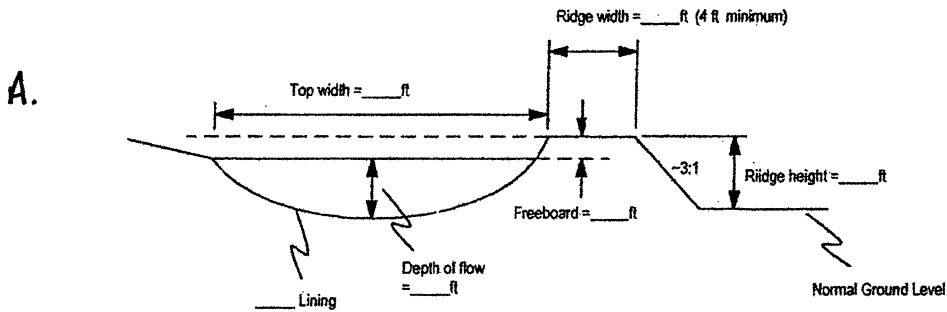


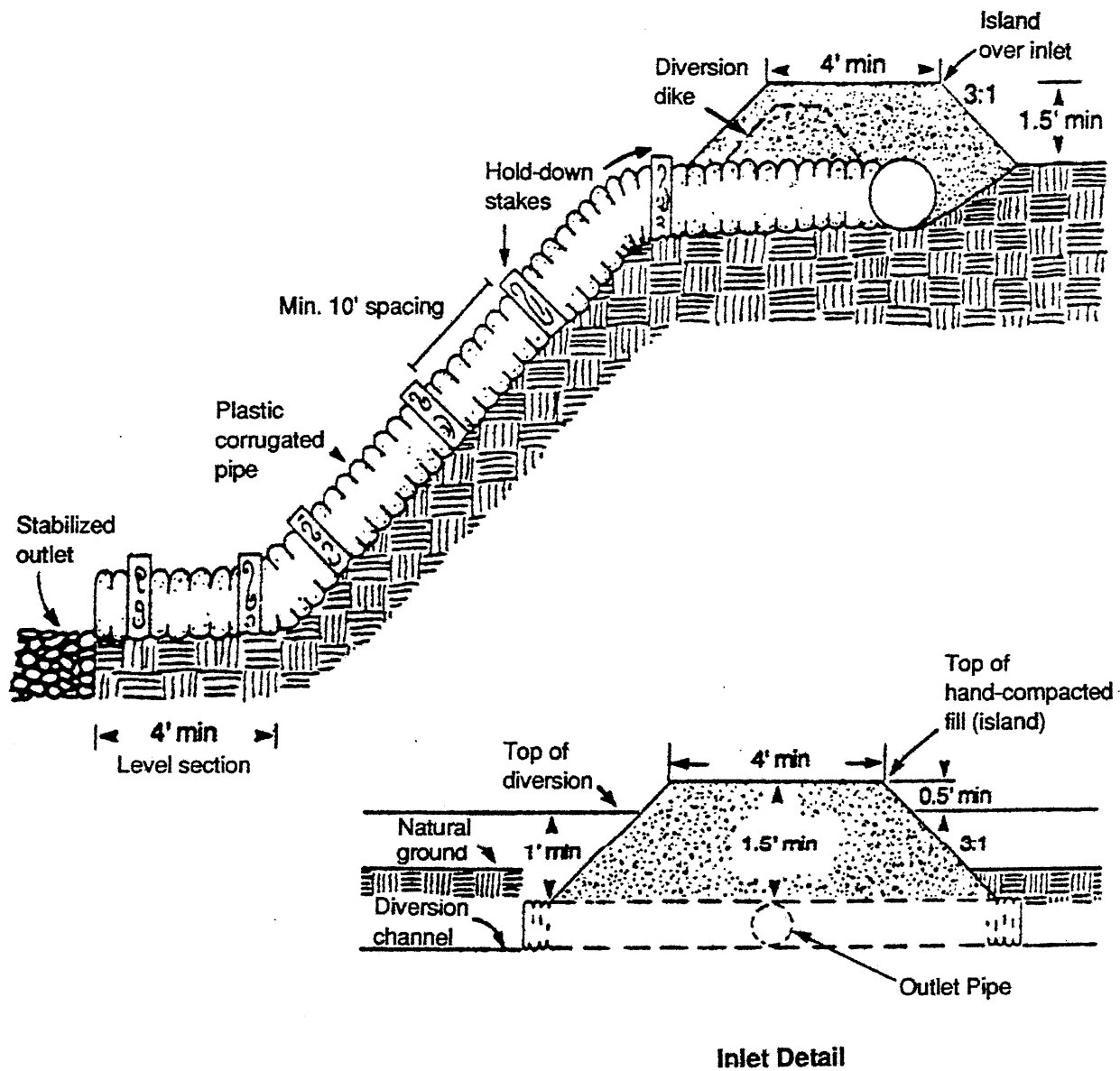


CRUSHED STONE CONSTRUCTION EXIT

TO BE SHOWN ON THE EROSION AND SEDIMENT CONTROL PLAN

Complete the appropriate detail drawing for the channel cross-section of choice:



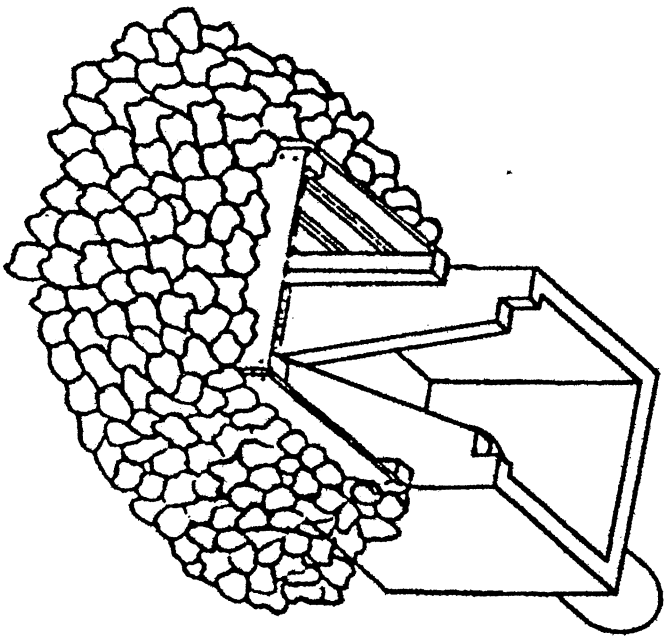
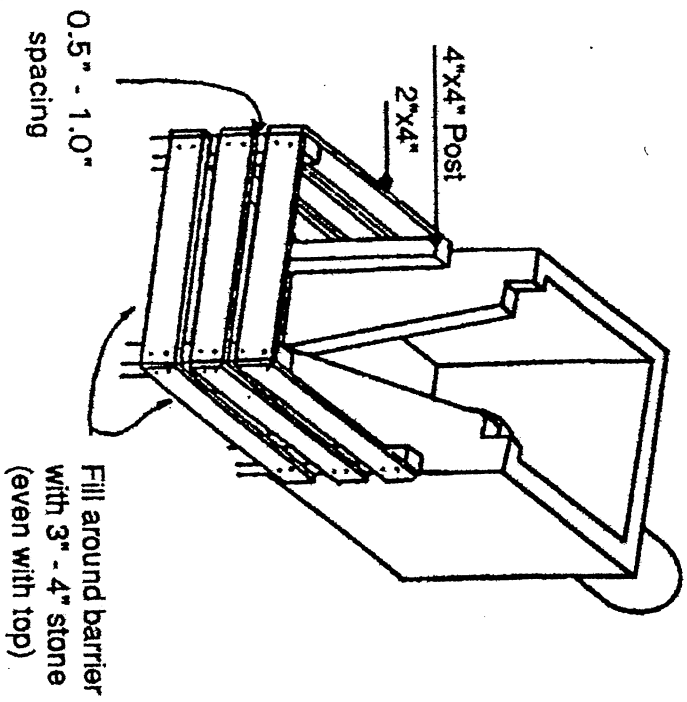


Make all pipe connections watertight and secure so that the joints will not separate in use.

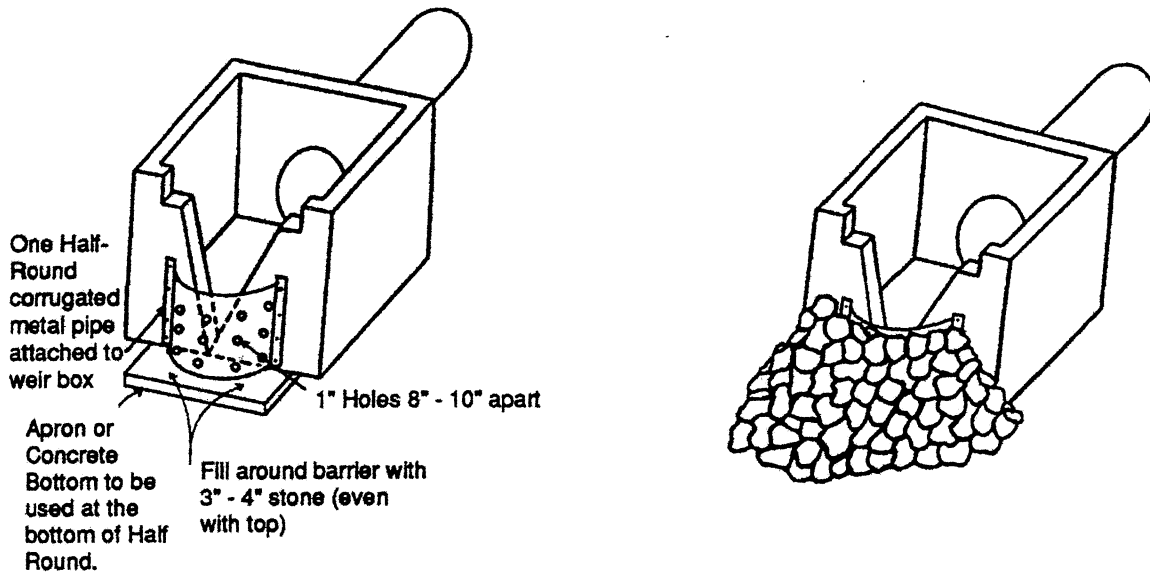
DOWNDRAIN PIPE AND INLET DETAIL

Pipe Diameter for Temporary Downrain Structure

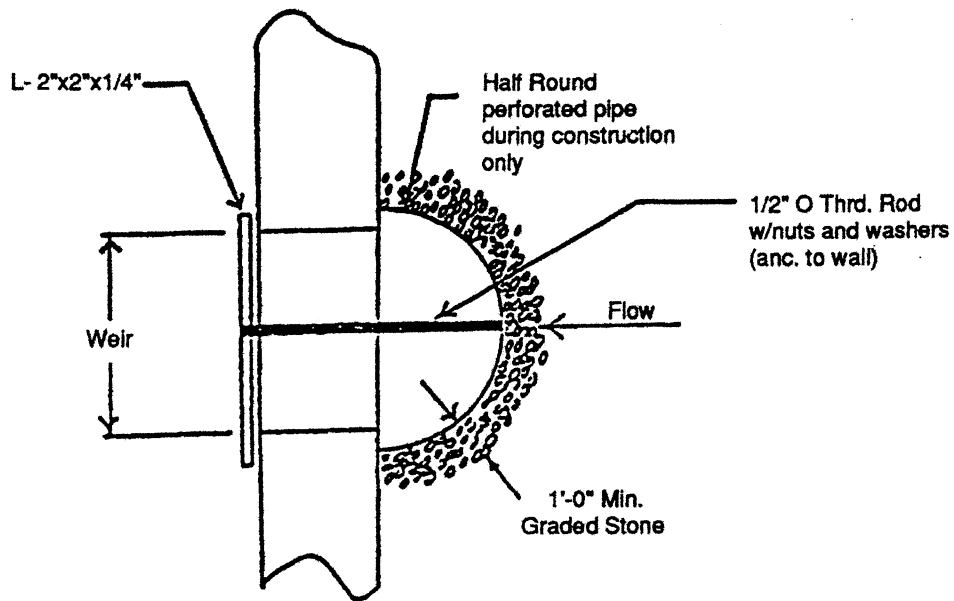
Maximum Drainage Area Per Pipe (acre)	Pipe Diameter (inches)
0.3	10
0.5	12
1.0	18



SLOTTED BOARD DAM WITH STONE FILTER



ISOMETRICS



PLAN

PERFORATED HALF-ROUND PIPE WITH STONE FILTER

